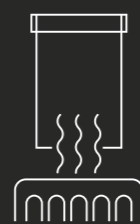
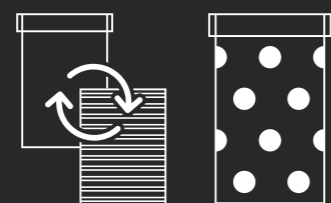


The ultimate in roller blind design. A sleek chassis and optional pelmet adds a touch of class to any room.



This premium roller, like the rest of the Bloc range, is leagues ahead of a typical roller blind. Made to measure from the finest quality materials, it shouts quality. And, with the built-in flexibility of the Fabric Changer system, this is the only roller system you will ever need.



blocblinds

Premium Roller Blind

EasyFit Installation • Built in Fabric Changer as standard
Optional pelmet • Made to measure • Sewn pocket
with colour matched thread • High quality finish

bloc
blinds

Bloc Commercial is a UK centre for the innovation of product, service and support for the global blinds market.

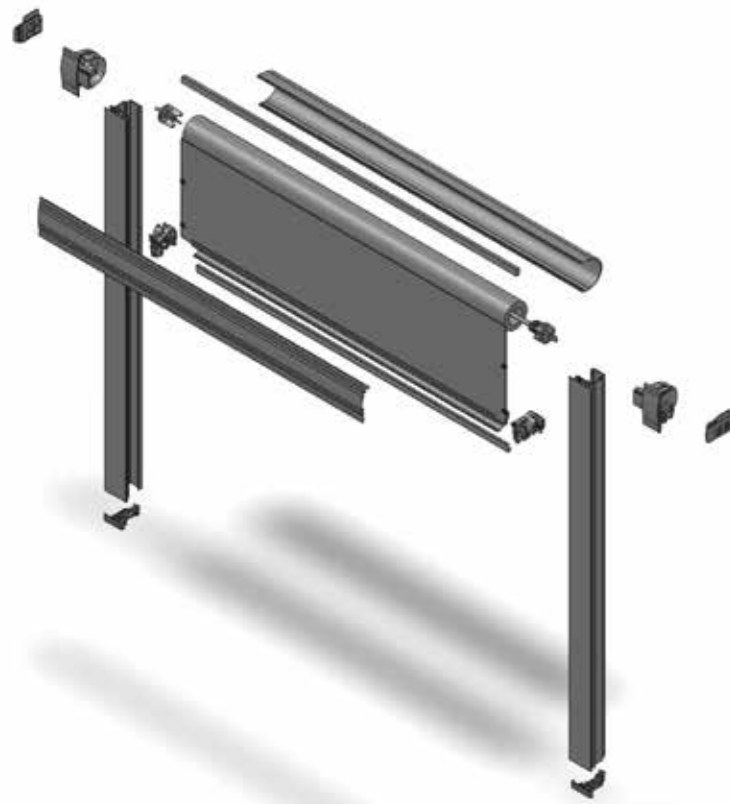


Designed & manufactured in the UK.

Bloc Commercial
Unit A3 The Business Centre
Tobermore Road
Draperstown BT45 7AG

T +44 (0) 28 7962 7794
F +44 (0) 28 7962 7609
bloccommercial.com
info@bloccommercial.com

Premium Roller Blind



The Bloc Premium Roller Blind range is the ultimate in roller blind design. Its sleek chassis and optional pelmet will add a touch of class to any room. With our Fabric Changer built in as standard you can have a sophisticated blind system with the advantage of total design flexibility when it comes to your decor.



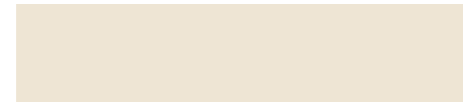
Bloc blinds incorporate a number of specially developed features that make our blinds superior to others on the market. (1) All roller blinds are supplied with a Sewn Pocket with a colour matched thread. (2) The sleek chassis protects the fabric from dirt and discolouration.

(3) The optional Chain Tidy prevents the chain from hanging loose and makes this a safer option for children. Available in white or grey.

Frame Colour Options



White
RAL 9010 Matt Finish



Cream
LM1284-6 Matt Finish



Anodised Silver
RAL AA15 Natural Finish

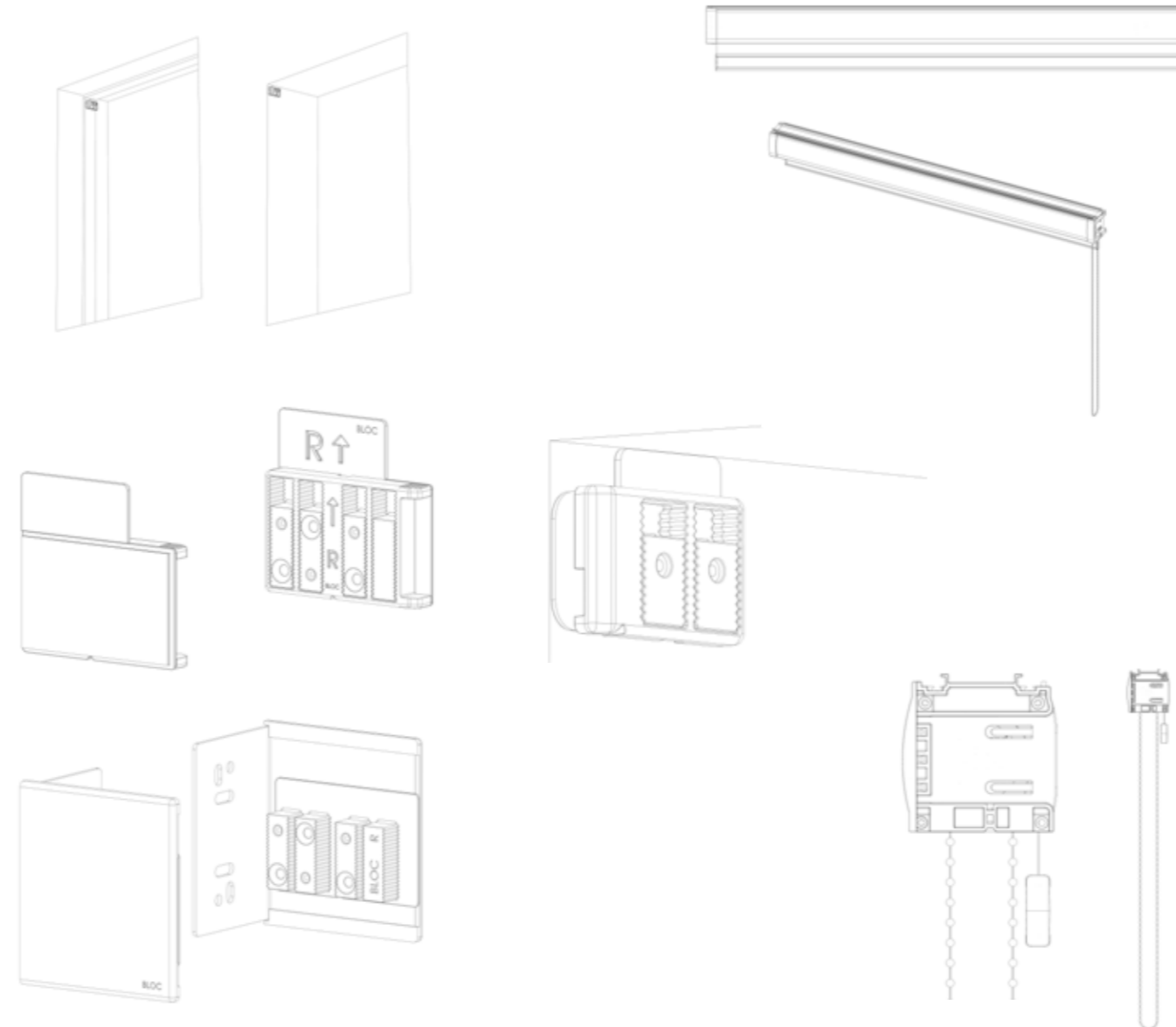
A frame for every window type



Guide Dog Recess Fix

Guide Dog Face Fix

Fitting Options



Product Specification

Size Range

| | |
|-----------|--------|
| min width | 200mm |
| min drop | 200mm |
| max width | 2700mm |
| max drop | 3000mm |

Roller Tube

Aluminium

Cassette Colour

White / Cream / Anodised Silver / (Black / Brown)

Bottom Detail

Plastic Lath / Handle colour to match cassette
(Rectangular bar / Fabric wrapped / Venetian Strip)

Control

Friction / Motorised 12V rechargeable battery / (Spring)

Control Side

Right hand side / Left hand side

Clutch

32mm

Chain Options

White Plastic / Metal (over 2000mm Width / Drop)

Thread

Clear

Fabric Position

Standard Roll / Reverse Roll

Safety Device

Safety Clip

Interchangeable Pelmet

Fabric matching pelmet / Contrasting fabric pelmet

Operation, Care and Maintenance

Operation

Operation of the blind is through a chain system located either side of the blind. It complies fully with all relevant child safety standards. Our Fabric Changer Roller blinds come with a wall secure system which prevents chains from becoming loose when not in use.

Care Instructions

We are all very proud of our stunning Premium Roller blind range. To keep them looking their best for years to come, always ensure that your BlocOut blinds have been securely fitted, use a synthetic or feather duster and refrain from using soap and water. Should any part of the blind fail contact our dedicated Customer Service team who can help.

Maintenance

All our BlocOut blind components are manufactured using aluminium and plastic. They do not present any corrosion problems in normal environments. The system has been designed for smooth operation, together with rigidity to prolong the window blind's working life. Manufacturing and installation guidelines for the size restrictions for each type of installation are included in this specified brochure.

Child Safety

Being a family run business, we know the importance of safety in a home. That's why every one of our designs is guided by our own 'Safe by Design' principles and fully comply with the latest European directives. Consequently many of our blinds have no cords or chains which could act as a choking hazard and those which are chain operated come with a wall secure system which prevents cords from becoming loose.

